



Inductive sensor IS M18b 8AAAC PNP NO ST2 Material number: 1202183

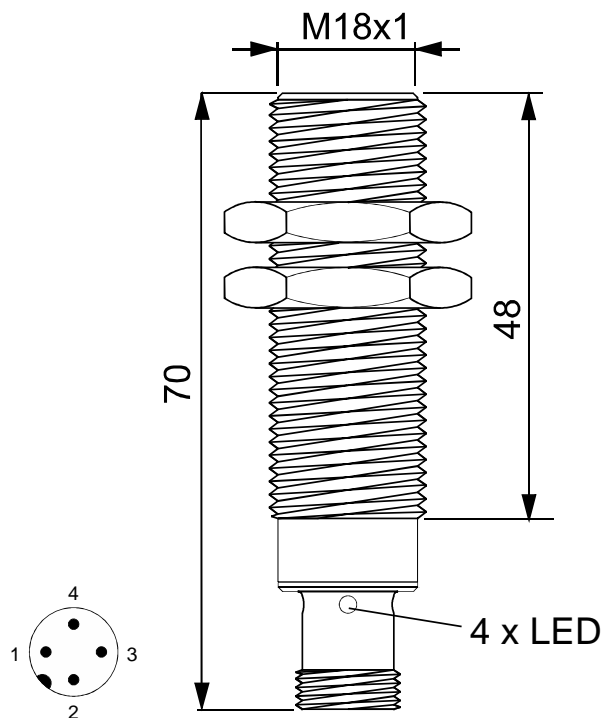
Features/Options:

- Metal enclosure
- Enclosure diameter M18 x 1
- Flush mounting
- Long life, no mechanical wear
- Insensitive to soiling
- With LED
- With plug-in connector M12 x 1

Notes

- 2 mounting nuts are included in delivery

Dimensions



Technical data

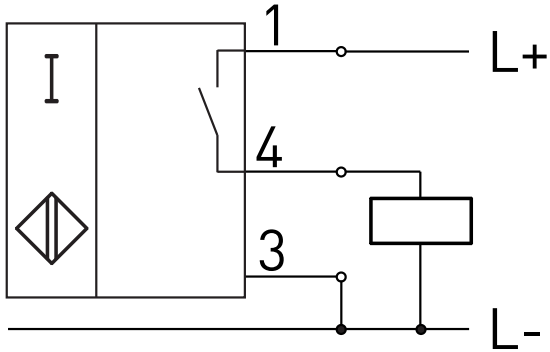
Applied standards	EN 60947-5-2
Enclosure	brass, nickeled
Front cap	POM
Degree of protection	IP 67 to IEC/EN 60529
Connection	plug-in connector M12 x 1, 4-pole
Switching elements	1 NO contact, PNP, 3-wire
Rated switching distance s_n	8 mm
Correction factors	Steel (Fe360) = 1; Stainless steel approx. 0.7; Brass approx. 0.5; Aluminium approx. 0.4; Copper approx. 0.4
Rated operating voltage range U_B	10 ... 30 VDC
Residual ripple	≤ 10 %
Switching current	max. 0.2 A
Voltage drop at I_e	max. 1.8 V
Current absorption	< 15 mA at 24 VDC
Hysteresis	approx. 10 %
Switching frequency	400 Hz
Repeatability	≤ 3 %
Protection circuit	Inductive interference protection, protection against polarity reversal, short-circuit and overload proof
LED display	lights up yellow on actuation
Ambient temperature	-25 °C ... +85 °C
Weight	57 g

Errors and omissions excepted.

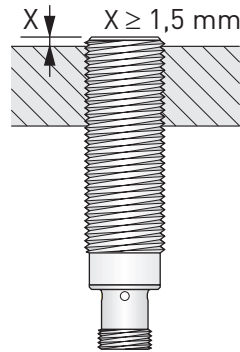


Inductive sensor
IS M18b 8AAAC PNP NO ST2
Material number: 1202183

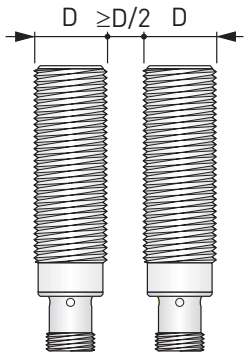
Contact diagram



Flush mounting



Side by side mounting



Errors and omissions excepted.